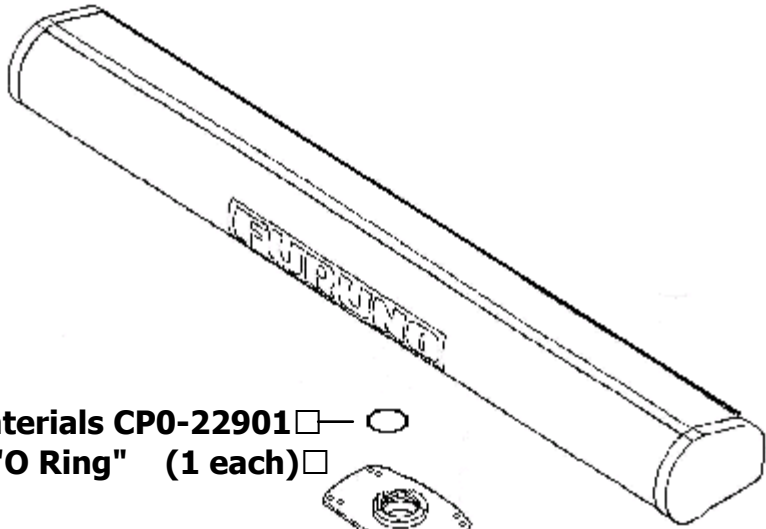


XN10A/3.5



Installation Materials CP0-22901 

000-851-313 "O Ring" (1 each)



000-854-130 M8 Flat Washer (4 each)

000-864-262 M8 Spring Washer (4 each)

000-862-161 M8 x 30 Hex Bolt (4 each)

000-854-118 "3 Bond" Adhesive* (1 each)

* NOTE: Coat entire mating surface outside |
of "O-ring".